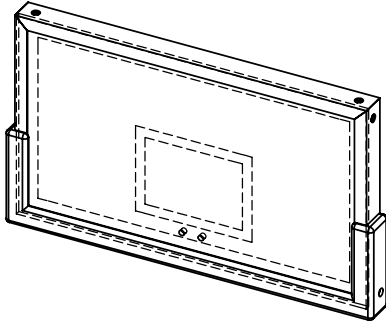


WWW.MINIBACKBOARDS.COM

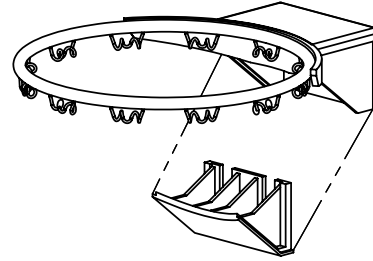
Assembly Instructions

Tools Needed: Philips Screwdriver, Drill, 1/4" Drill bit, Level
WARNING: THIS IS NOT A TOY. FOR DISPLAY PURPOSES ONLY.

Package Contents

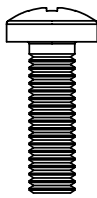


Backboard

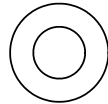


Net, Rim & Insert

Qty 2
Each of:



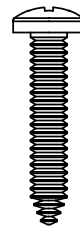
M6x20
Screw



M6
Washer



M6
Nut

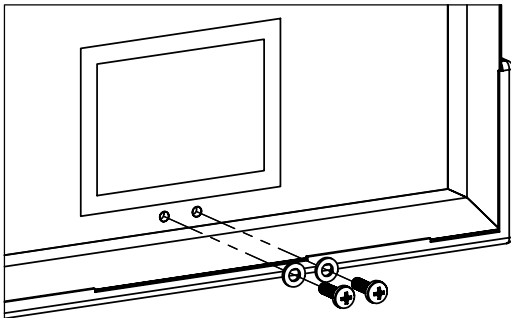


#10
Screw

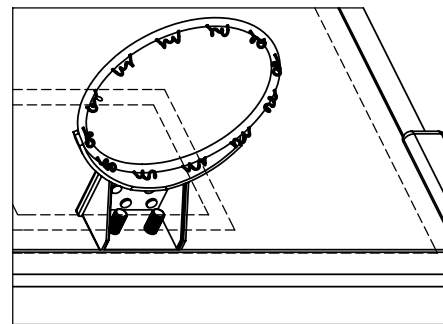


Anchor

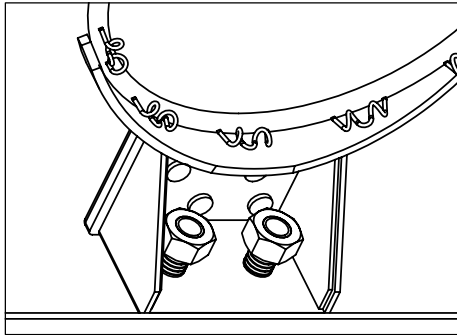
Attaching the Net to the Backboard



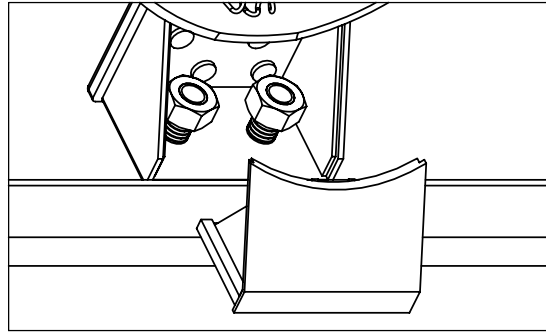
1. Insert M6x20 screws and washers from the back side



2. Place Net over screws on the front side

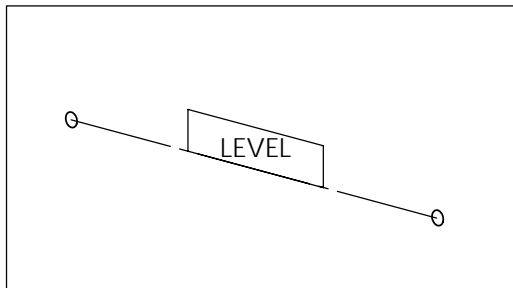


3. Thread M6 Nuts flush to the end of the screws

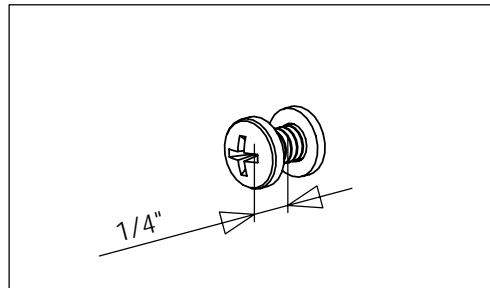


4. Slide Insert into place and tighten screws from back side. Nuts will be captured by the Insert

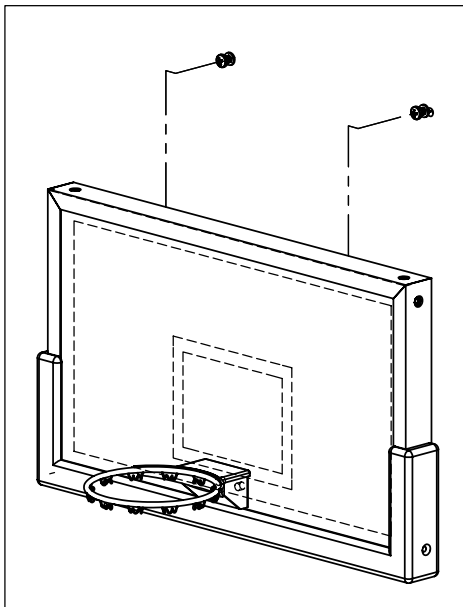
Mounting the Backboard to a wall



1. Using the template at the right and a level, drill two 1/4" holes into the wall.



2. Press in Anchors flush to wall. Screw in #10 Screws, leaving about 1/4" thread showing.



3. Hang up & Enjoy!

